

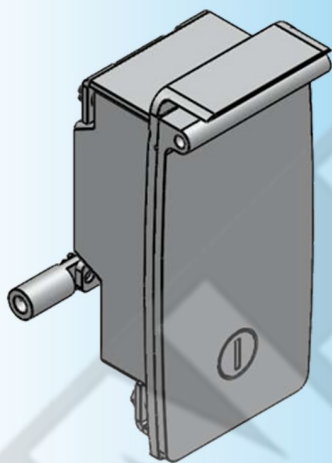


For Product Step File or 3D Model Send a Request Mail To info@nrack.com

Photo View

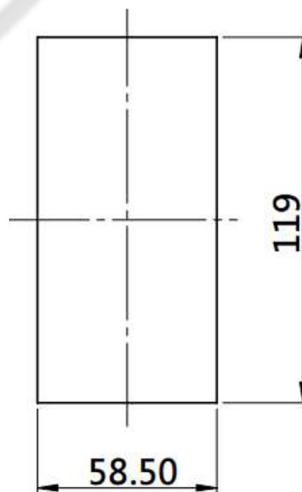
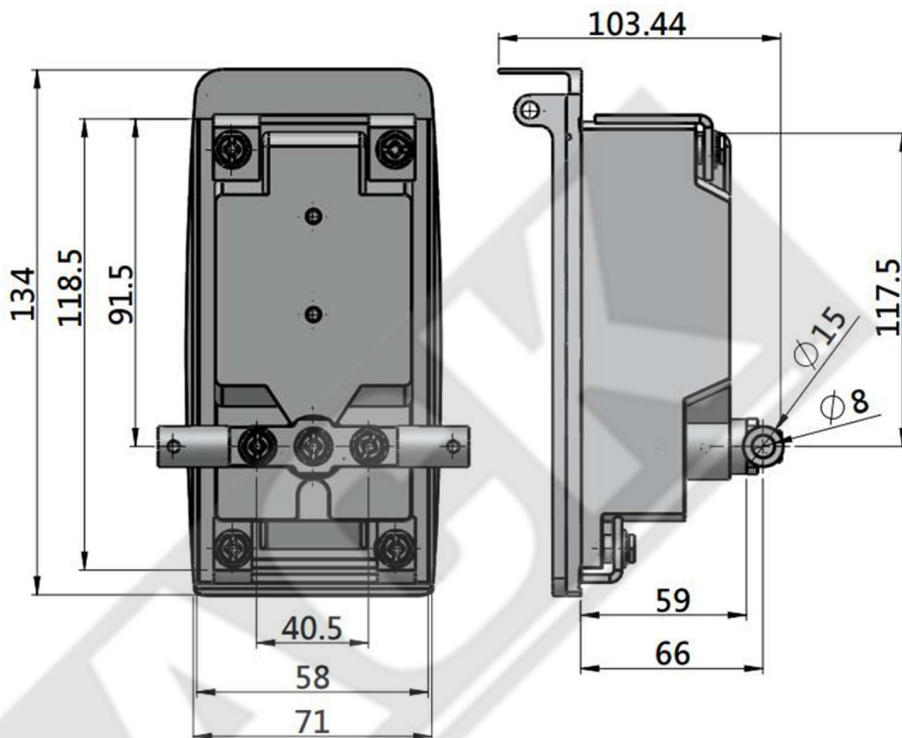


3D Rendered View



MSH-02

- Material: Zinc die-casting body
- Zinc plating cam, fixing parts
- Panel thickness: 1~4.5mm
- Finish: Gray or black color



CUT OUT

Product Number		Weight (g)	Lot
Black powder coated	MSH- 02.3	957	25
Gray powder coated	MSH- 02.9	957	25